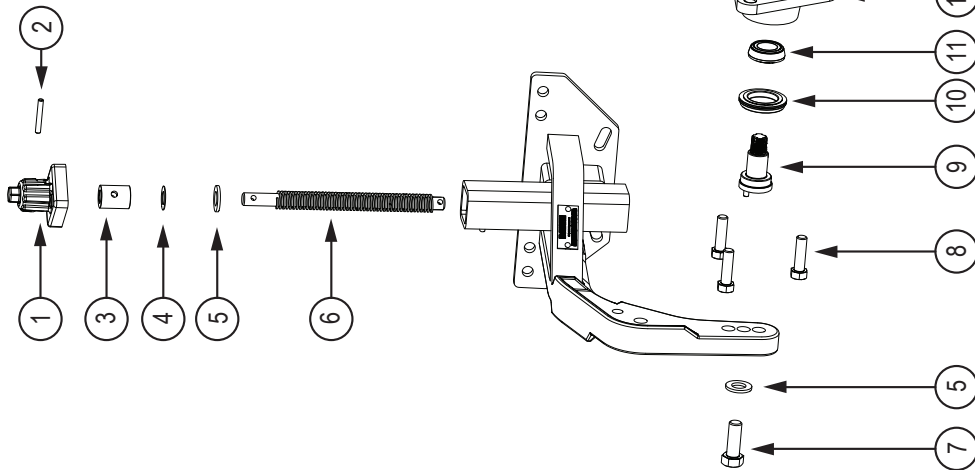


Dawn Parts

1572_2013_8R01

Dawn Parts Breakdown 1572 Coultter Combination * Trashwheels sold separately

Item	Dawn Part #	Item Description	Item	Dawn Part #	Item Description
†	1	301325 Low Profile Screw Adjust Cap	◇	11	9016 Bearing Cone
†	2	90205 Spirol Roll Pin	◇	12	300041 Hub Forging with Races
†	3	102186 Bushing	◇	13	9028 Tongue Washer
†	4	102303 Nylon Washer	◇	14	9024 Casselated Nut
•	5	9032 Flat Washer	◇	15	9019 Cotter Pin
•	6	100061 Acme Screw	•	16	100055 1/4" Triangular Spacer
•	7	9101 5/8-11x1.5" Gr8 Zn HHCS	•	17	9662R01 O-Ring
•	8	9088 1/2"-13x1.75" Gr8 Zn HHCS	•	18	100949 Triangular Supercap
◇	9	100066R01 Hub Shaft (with roll pin)	◇	19	9007-R1 1/2"-13 Flange Lock Nut
◇	10	9017 Triple Lip Seal	◇	20	9785 Pipe Plug



There are a variety of kits available to make replacement and repair easier:

- Included with **hardware kit 9115**
- ◇ Included with **hub kit 400014R01**
- † Included with **screw-adjust cap kit 400085LP**

* **Contact Dawn to determine the correct mount weldment for your particular planter**

