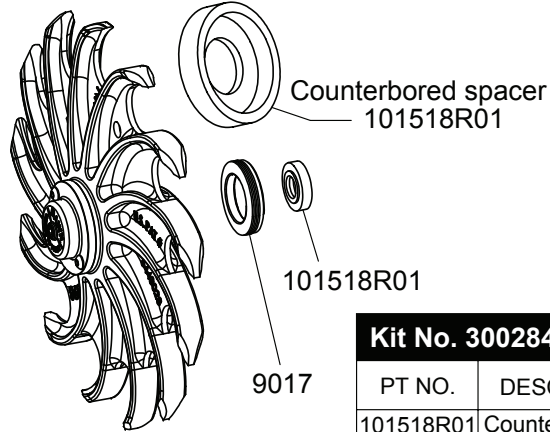


1302 for John Deere 7200

*Only compatible on tailpiece with non-removable stud and removable bushing



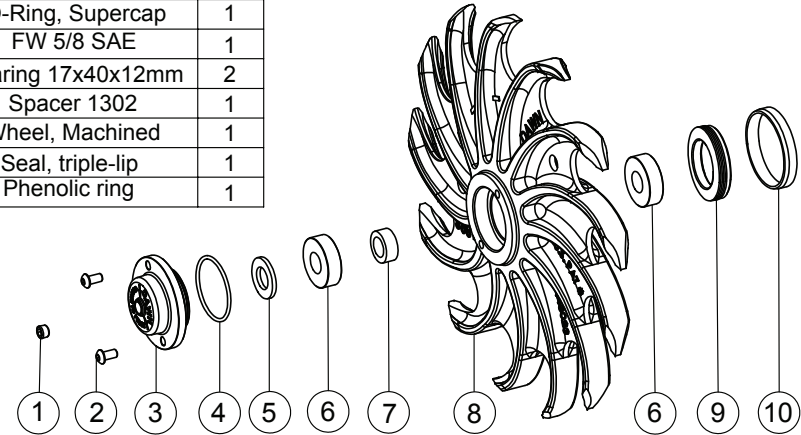
Kit No. 300284

PT NO.	DESCRIPTION	QTY.
101518R01	Counterbore Spacer	1
9017	Seal, Triple-lip	1

NO.	PART NUMBER	DESCRIPTION	QTY.
1	9785	1/8 SS pipe plug	1
2	9880R01	1/4-20 x 5/8 socket	2
3	101315R02	Supercap, CT	1
4	9662R01	O-Ring, Supercap	1
5	9032	FW 5/8 SAE	1
6	9933	Bearing 17x40x12mm	2
7	101461	Spacer 1302	1
8	101898M_BB L&R	Wheel, Machined	1
9	9017	Seal, triple-lip	1
10	9018	Phenolic ring	1

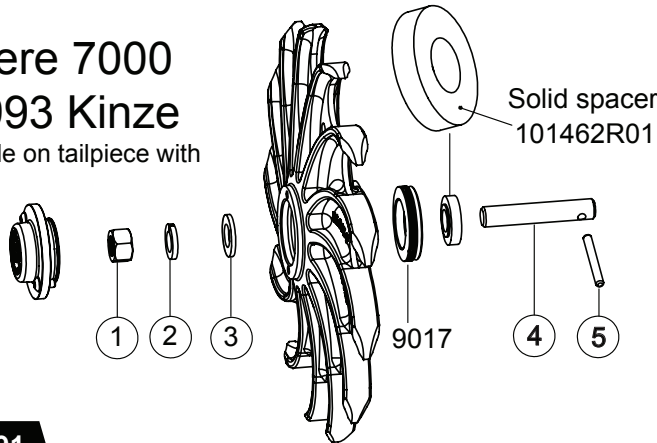
1302 Common parts

These parts are in all 1302 Curvetines



1302 for John Deere 7000 & Pre-1993 Kinze

*Only compatible on tailpiece with removable stud

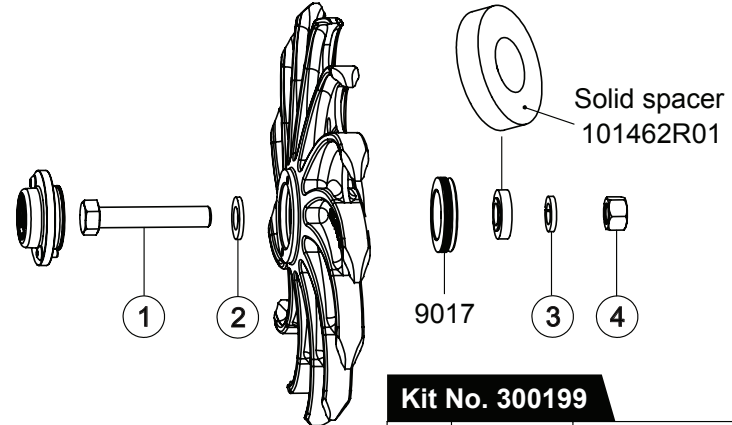


Kit No. 300191

PT NO.	DESCRIPTION	QTY.
1	9142 Nut, 5/8-11	1
2	9069 LW, 5/8 SPLT	1
3	9032 FW 5/8 x 1.29 x .13	3
4	9795 Stud, 3.5" OL	1
5	9999 Pin, Grooved 1/4 x 2	1

1302 for John Deere, Kinze, White

"Bolt-On" Ball Bearing Wheels



Kit No. 300199

PT NO.	DESCRIPTION	QTY.
1	9268 HHCS 5/8-11 x 3.5	1
2	9032 FW 5/8 x 1.29 x .13	4
3	9069 LW, 5/8 SPLT	1
4	9126 Nut 5/8-11	1

Kit No. 300283

PT NO.	DESCRIPTION	QTY.
101462R01	Solid Spacer	1
9017	Seal, Triple-lip	1