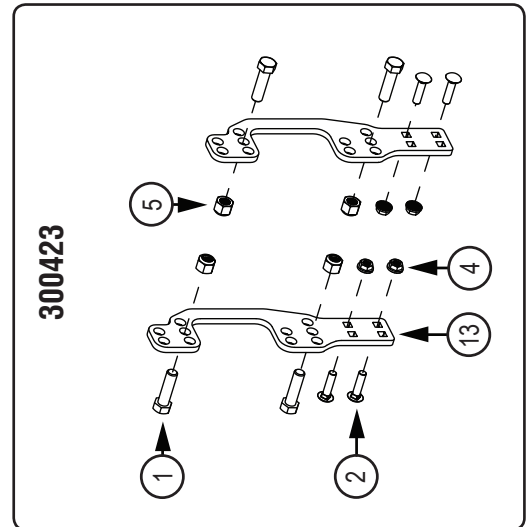
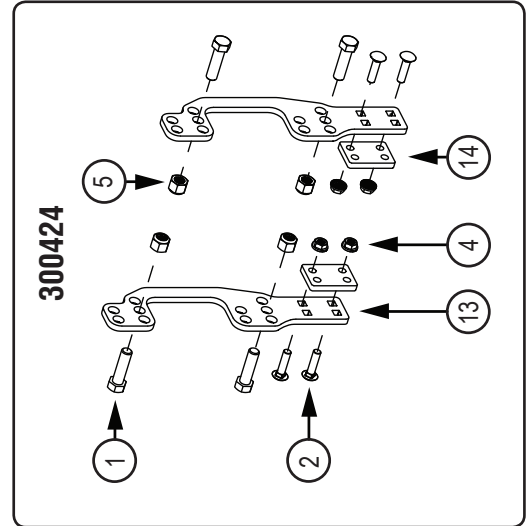
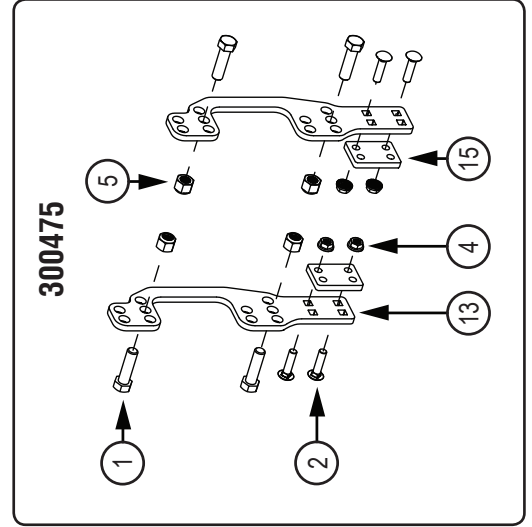
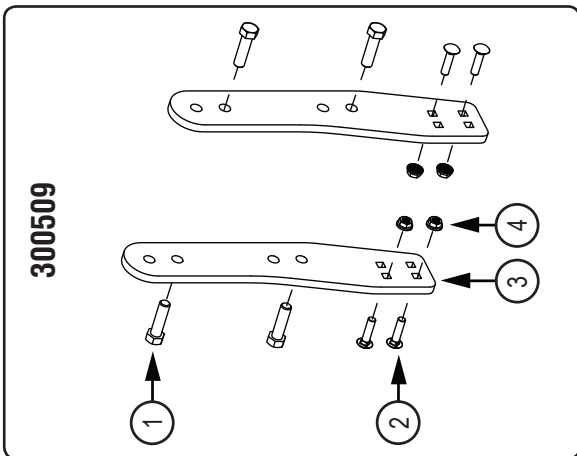
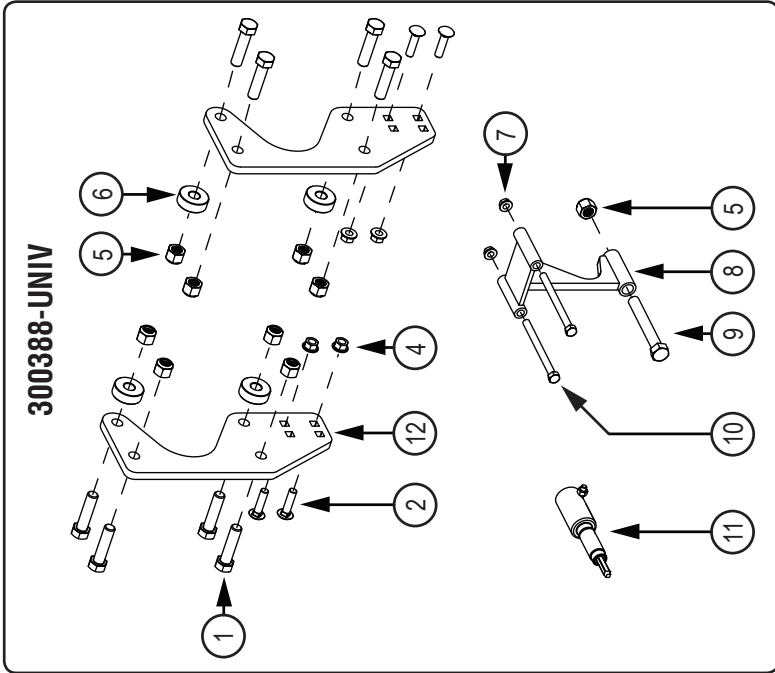


Dawn Parts

2014_3_300423/300424/300475/300509/300388-UNIV

Dawn Parts Breakdown Universal Mount Bracket Kits

Item	Dawn Part #	Item Description
1	9871	5/8"-11x2.5" Gr8 Zn HHCS
2	90295	7/16"-14x1.75" Gr5 Zn CB
3	102627	Mount Plate Kinze 4900
4	90515	7/16"-14 Crimp Flange Nut
5	9142	5/8"-11 Crimp Lock Nut
6	102546	Spacer
7	9100	3/8"16 Flange Lock Nut
8	200999	Airbag Setback Weldment
9	9145	5/8"-11x5" Gr8 Zn HHCS
10	90242	3/8"-16x5" Gr8 Zn HHCS
11	300394	Pro Shaft Extension
12	102545	Setback Mount Plate
13	102381-R1	Universal Mount Plate
14	102387	3/8" Spacer for JD Wide Units
15	102514	1/2" Spacer for Kinze Units



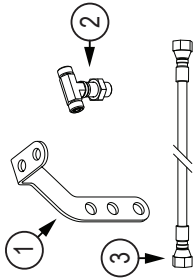
Dawn Parts

HOSE PARTS

Dawn Parts Breakdown Row-to-row Hose Kits

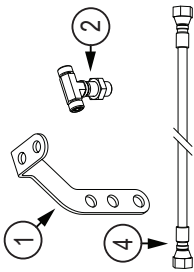
Item	Dawn Part #	Item Description
1	102418_R1	Hose Organizer Bracket
2	90374	Bulkhead Tee Fitting
3	91080	20" -4/4 FORFS Hose
4	91081	22" -4/4 FORFS Hose
5	91079	30" -4/4 FORFS Hose
6	91280	36" -4/4 FORFS Hose
7	91288	38" -4/4 FORFS Hose

Hose Kit



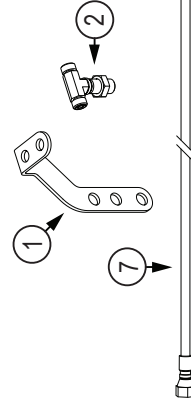
20" hose
91080

Hose Kit



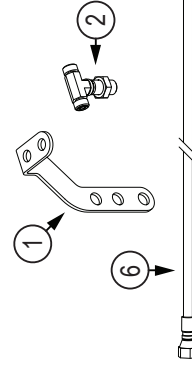
22" hose
91081

Hose Kit



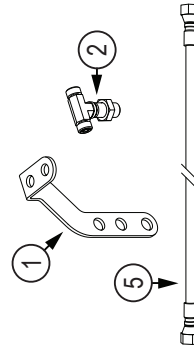
38" hose
91288

Hose Kit



36" hose
91280

Hose Kit



30" hose
91079

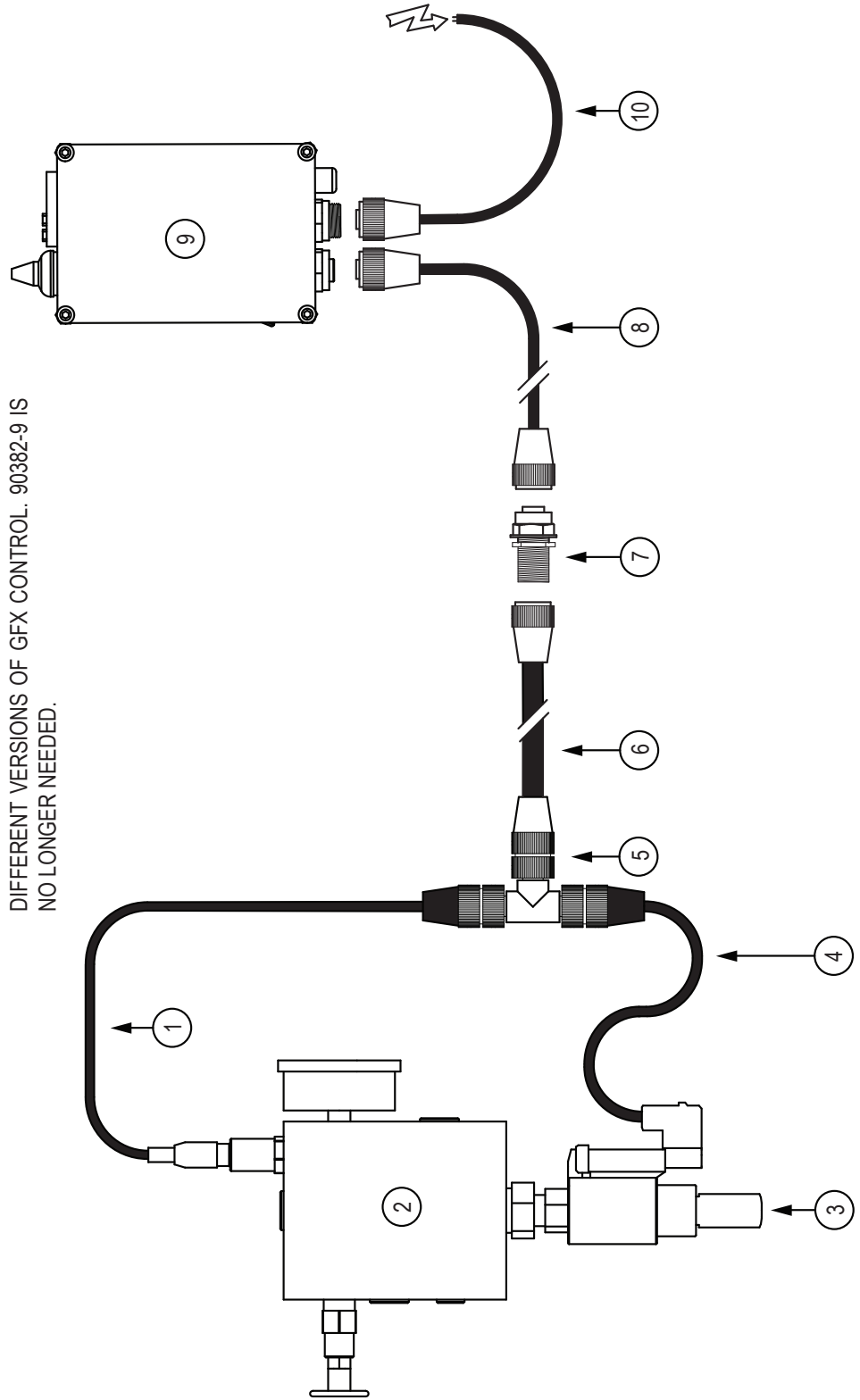
Dawn Parts Breakdown 400124/400221

Electronic Controlled Valve

Item	Dawn Part #	Item Description	Item Description
1	90382B-2	Cable - Pressure Transducer	Data Cable - Armored
2	90119-R4	Control Valve with Solenoid	Data Cable Coupler
3	90119 R1-3	Replacement Solenoid	Data Cable - Tractor Cab
4	90382B-1	Data Cable - Solenoid	Electronic Control Box
5	90382B-3	Tee Fitting for Data Cable	Power Cable

*

* PLEASE CALL IN FOR PARTS HELP REGARDING DIFFERENT VERSIONS OF GFX CONTROL. 90382-9 IS NO LONGER NEEDED.



Dawn Parts

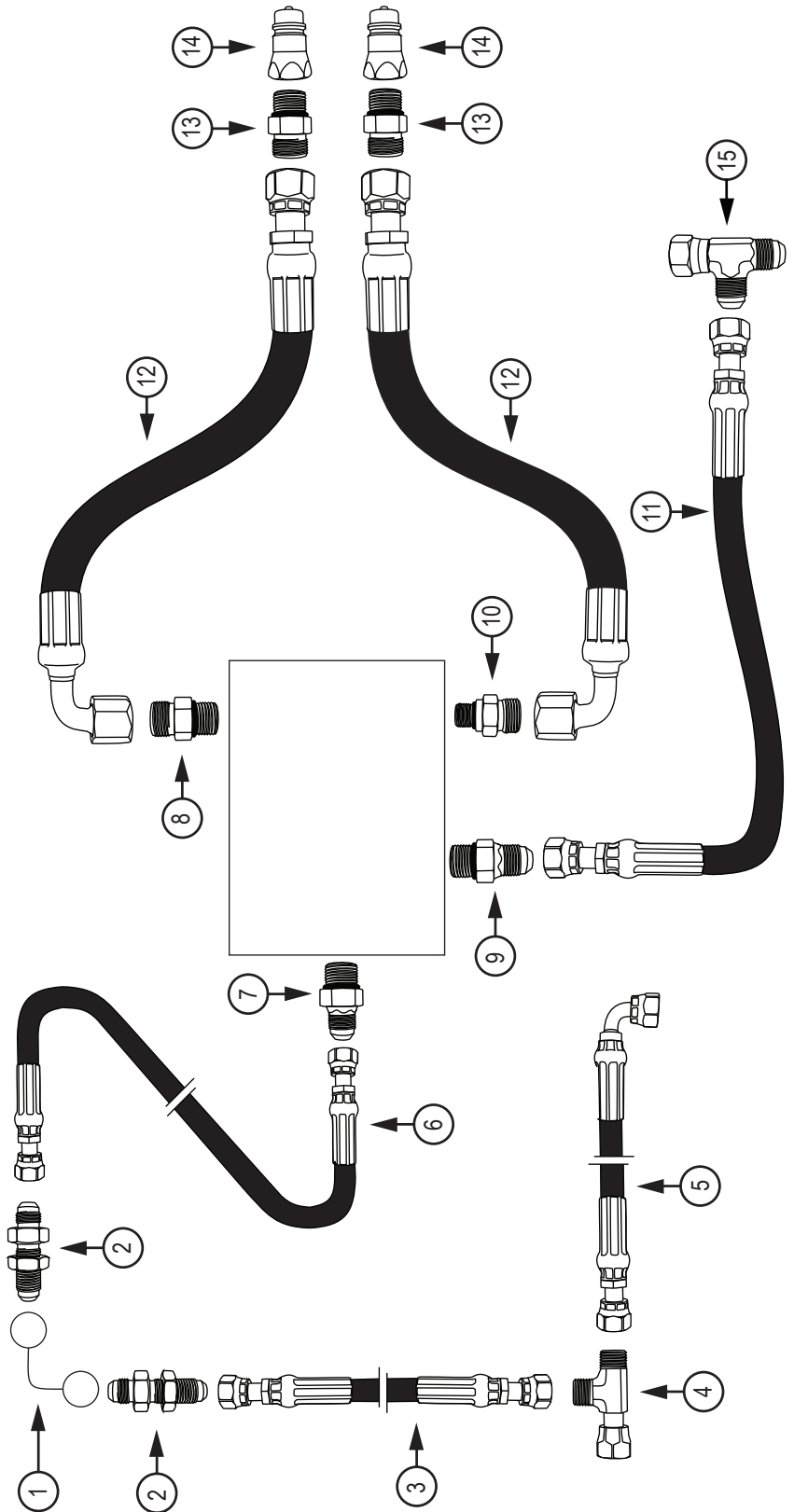
2014_1_400124_HYD

Dawn Parts Breakdown 400124

Hydraulic Circuit Components

Item	Dawn Part #	Item Description
9	90477	-8MORB/-8MJIC Union
10	90157	-6MORB/-8MORFS Union
11	90475	-8FJIC/-8FJIC 4' Hose
12	90158	-8FORFS/-8FORFS 90 8'Hose
13	90156	-8MORB/-8MORFS Union
14	9987	-8FORB/-8M Quick Coupler
15	90457	-8MJIC/-8MJIC/-8FJIC T

Item	Dawn Part #	Item Description
1		Draft hose supplied by dlr.
2	90456	-6MJIC/-6MJIC Union
3	90448	-6FJIC/-4FORFS 23' Hose
4	90127	-4MORFS/-4FORFS/-4MORFS T
5	90446	-4FORFS/-4FORFS 15' Hose
6	90476	-6FJIC/-6FJIC 4' Hose
7	90474	-8MORB/-6MJIC Union
8	90156	-8MORFS/-8MORB Union

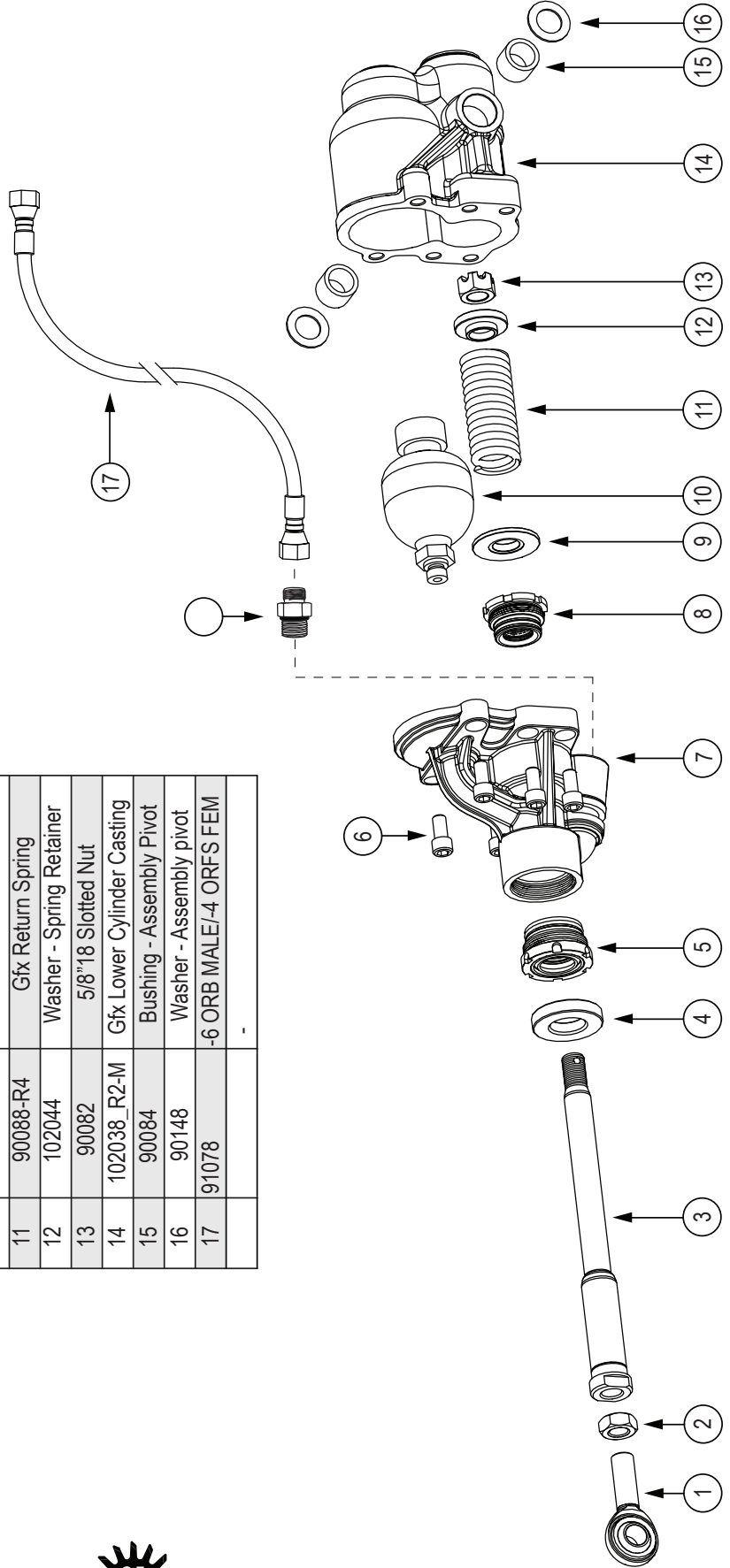


Dawn Parts

2014_3_300359_R3

Dawn Parts Breakdown 300359_R5

Item	Dawn Part #	Item Description
1	90089	Spherical Bearing
2	90090	Jam Nut 5/8"-18
3	102042_R1	Hydraulic Cylinder Shaft
4	102472	Washer - Rod Stop
5	300366R01	Large Gland Assembly
6	90151	3/8"-16x3/4" SHCS Stainless
7	102036_R3-M	Gfx Upper Cylinder Casting
8	300367R01	Small Gland Assembly
9	103998	Spacer - Spring
10	90086R01	Accumulator
11	90088-R4	Gfx Return Spring
12	102044	Washer - Spring Retainer
13	90082	5/8"18 Slotted Nut
14	102038_R2-M	Gfx Lower Cylinder Casting
15	90084	Bushing - Assembly Pivot
16	90148	Washer - Assembly pivot
17	91078	-6 ORB MALE/-4 ORFS FEM
		-

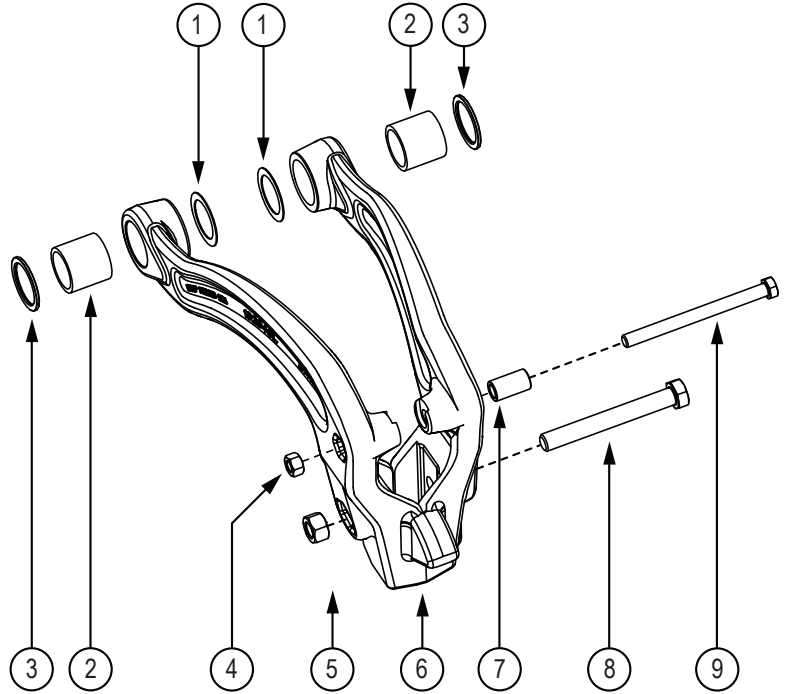


Dawn Parts

2013_4_300358 &
2013_4_300360_R3_UNIV

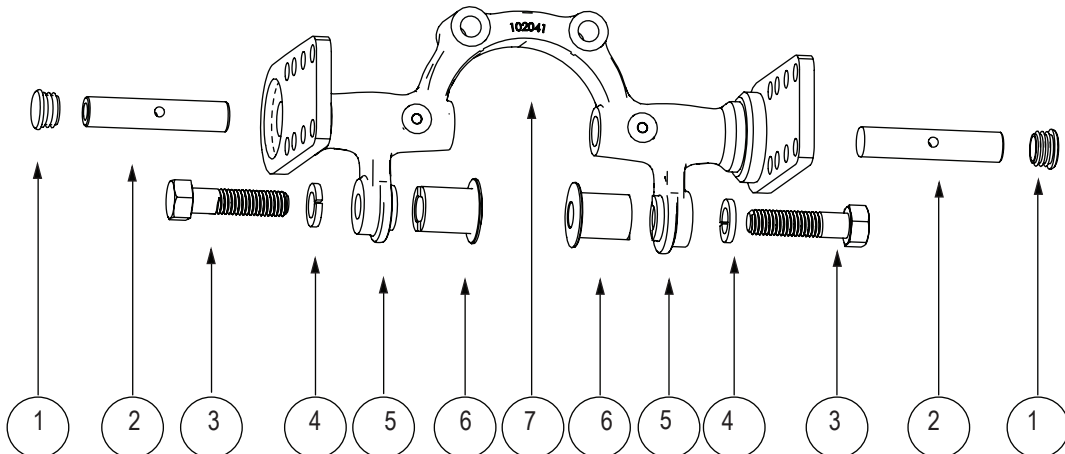
300358

Item	Dawn Part #	Item Description
1	90149	Plastic Thrust Washer
2	90100r2	Bushing
3	102071	Plastic Thrust Washer
4	90495	3/8-16 Gr5 Crimp Lock Nut
5	90417	1/2-13 Gr5 Crimp Lock Nut
6	200901	Gfx Arm Weldment
7	102069	Spacer Bushing
8	90416	1/2"-13x4" Gr8 ZN HHCS
9	90242	3/8"-16x5" Gr8 ZN HHCS



300360 R3-UNIV

Item	Dawn Part #	Item Description
1	90306	Plug
2	102072 R3	Pivot Pin
3	9871	5/8-11x2.5" Gr8 ZN HHCS
4	9069	5/8" Lock Washer
5	201173	Yoke Weldment
6	102064_R2	Rotary Bushing
7	90289	1/4x1 5/8" Pin

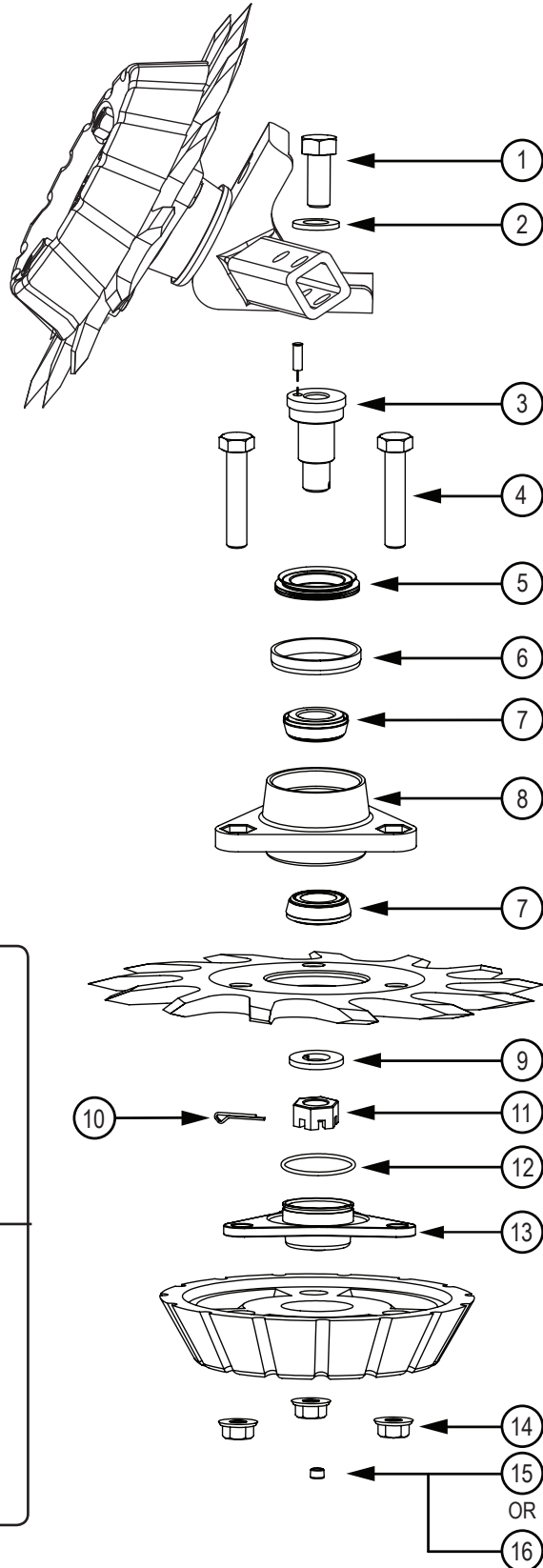


Dawn Parts

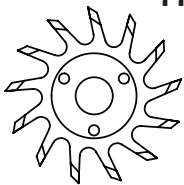
2014_1_1130AGFXDB

Dawn Parts Breakdown 1130A-12.75-GFX-DB & 1130A-14-GFX-DB

Item	Dawn Part #	Item Description
1	9101	5/8"-11x1.5" Gr8 HHCS
2	9032	5/8" Flat Washer
3	100066R01	Threaded Drive Shaft
4	9339	1/2-13x2.5" Gr5 ZN
5	9017	Triple Lip Seal
6	9018	Phenolic Wear Ring
7	9016	Bearing Cone 1"ID
8	300041	Forged Hub Press Assy.
9	9028	Tongue Washer
10	9019	Cotter Pin
11	9024	3/4-13 Castellated Nut
12	9662R01	O-ring
13	103034	Super Cap w/ raised protector
14	9007R01	1/2-13 Lock Nut
15	9785	Pipe Plug
16	9806	Grease Zerk

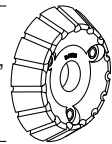


1130A-12.75-GFX-DB



12.75"

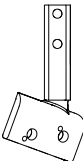
101550



8.75"

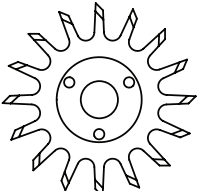
101782

Use with 4-hole stem



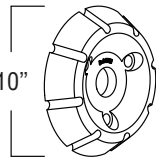
200879

1130A-14-GFX-DB



14"

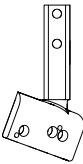
200015



10"

101333

Use with 6-hole stem



200900

APPENDIX A - WARRANTY

The following warranties with respect to new Dawn Equipment Company ("Dawn") products, excepting as hereafter provided, is made by Dawn to Dealers ("Dealers") authorized by Dawn to sell the products involved and each selling Dealer, in turn, make such warranties to the original retail purchaser ("Purchaser").

A. Duration and Extent of Warranty

1. Products, except all working, moving and all or any parts subject to wear, except as hereafter provided, which are defective in materials or workmanship as delivered to the Purchaser by Dealer will be repaired by a Dealer or replaced by Dawn, only, as Dawn elects, without charge for materials or labor, if such defect appears in not more than 12 months, or from and after the date of delivery to the Purchase by the Dealer.
2. Dawn warrants that the Trashwheels planter attachment wheels (Dawn part #s 200015, 101550, 102185M-L, 102185M-R) and Curvetine closing wheels (Dawn part # 102540F) will not bend or break during its useful lifetime.
3. Liability of Dawn for defective parts or material is specifically limited to the value of the parts or materials, only.
4. All parts or materials requiring work MUST be returned by delivery to the selling Dealer for repair or for delivery to Dawn within thirty (30) days of occurrence of the defect or failure of the part or material, all freight prepaid by the Dealer upon Dealer warranty form, available by request from Dawn. Upon completion of the warranty work, Dawn will ship parts or material to the Dealer, freight prepaid by Dawn.
5. All decisions by Dawn pertaining to warranty are final.

B. Warranty Exclusions; Dawn will not be responsible for any of the following;

1. Defects of damage resulting from use, repairs or service performed in a manner not approved by Dawn or from repairs or service performed by someone other than an authorized Dawn Dealer service department (after approval from Dawn) or Dawn to repair or replace the product involved.
2. Defects, damage or failure resulting from any alteration or additions done in a manner not approved by Dawn.
3. Defects, damage or failure or depreciation resulting from wear and tear, accidents, misuses, negligence, improper maintenance or improper protection and storage.

4. INCIDENTAL OR CONSEQUENTIAL DAMAGES, INCLUDING BUT NOT LIMITED TO, LOSS OF PROFITS, LOSS OF TIME, LOSS OF CROPS, INCONVENIENCE, LOSS OF USE OF THE PRODUCT OR OTHER MACHINERY, EQUIPMENT OR VEHICLE USED WITH THE PRODUCTS, COST OF RENTALS OR REPLACEMENT OF THE PRODUCTS OR OTHER COMMERCIAL LOSS.

C. Remedies Exclusive: NO Other Warranties

The obligations of Dawn and the Dealers are limited to the obligations set forth in this Limited Warranty. THIS LIMITED WARRANTY IS IN LIEU OF ALL OTHER WARRANTIES OF DAWN, AND THE DEALERS, EXPRESSED OR IMPLIED. WARRANTIES BY DAWN OR THE DEALER OF CONDITION QUALITY, MERCHANT ABILITY OR FITNESS FOR A PARTICULAR PURPOSE ARE EXCLUDED, AS ARE ALL OTHER REPRESENTATIONS BY DAWN AND THE DEALERS TO THE PURCHASE OR USER AND ALL OTHER OBLIGATIONS OR LIABILITIES OF DAWN AND THE DEALERS. NO OTHER PERSON IS AUTHORIZED TO GIVE ANY OTHER WARRANTY OR TO ASSUME ANY OTHER LIABILITY ON BEHALF OF DAWN AND THE DEALERS. THIS LIMITED WARRANTY MAY NOT BE TRANSFERRED BY THE PURCHASER TO ANY SUBSEQUENT OWNER.

D. The instruction manual supplied with the Product contains important maintenance and service information. Read the manual and follow the recommendations contained herein. Please remember that failures due to improper maintenance or service are not covered by the Limited Warranty.

Dawn Equipment Company reserves the right to make changes in design or specifications at any time without obligation to purchasers or equipment and components previously sold. This warranty shall not be altered or changed in any way.